



WAT Motor  
Sanayi ve Ticaret A.Ş.



### Three Phase Squirrel Cage Induction Motor

Motor Type: Q2E71M6B

#### Electrical Data

RATED VALUES							STARTING VALUES				BREAKDOWN	EFFICIENCY			EFFICIENCY CLASS			
VOLTAGE	POWER		SPEED	CURRENT	TORQUE	Cos φ	CURRENT		TORQUE		TORQUE				IEC 60034-30-1			
V	kW	Hz	rpm	A	Nm	4/4	I <sub>A</sub> / I <sub>N</sub>	Y	D	M <sub>A</sub> / M <sub>N</sub>	Y	D	Mk / Mn	Nm	4/4	3/4	2/4	IE
230/400	0,18	50	928	1,33/0,77	1,9	0,58	3,00			2,43			2,90		56,6	52,5	44,2	IE2
265/460	0,18	60	1142	1,25/0,72	1,5	0,52	2,86			2,70			3,84		55	54,2	49,1	IE2

#### Mechanical Data

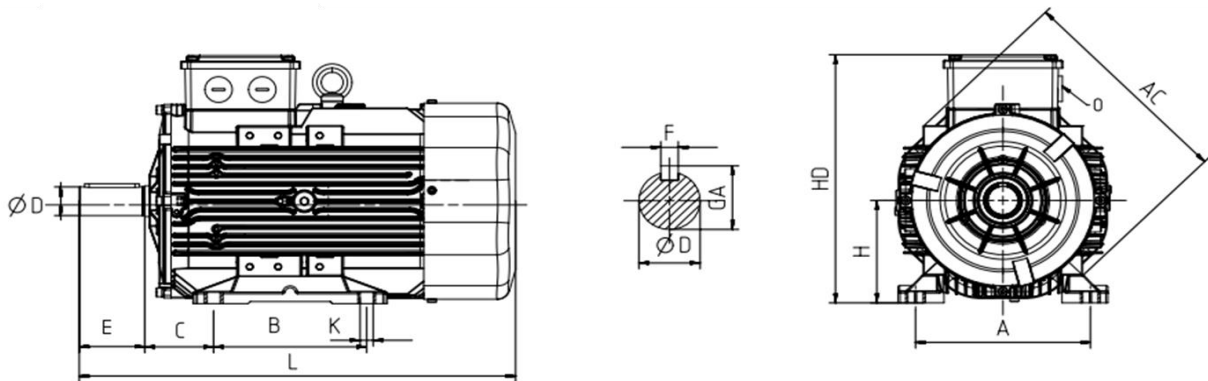
Bearing DE	6202-ZZ	Color	Optional
Bearing NDE	6202-ZZ	Motor protection	Optional
Lubricants	Shell Gadus S2 V100Q2	Method of cooling	IC 411
Condensation drain hole	No	Terminal box position	Top
External earthing terminal	Yes	Material of terminal box	Aluminium
Vibration class	A	Terminal plate thread	M4
Insulation class	F	Cable gland	1xM20
Duty type	S1	Clamping range	10-14 mm
Direction of rotation	Clockwise	Mounting type	IM 1001 (B3)
Housing material	Aluminum		
Type of balancing	Half Key		

#### Environmental Data

#### Others

Ambient temperature	-20 / + 40 °C	Type of protection	IP56
Altitude above sea level	1000 m	Sound pressure level 50/60Hz	62 dBA
		Moment of inertia (kgm <sup>2</sup> )	0,00095
		Standard	IEC 60034-1
		Weight (kg)	5,9

#### Dimensions



Main Dimensions		Foot Mounted Motors						Shaft					Flange Mounted Motors			
AC	L	B	A	H	HD	K	C	D	E	GA	F	P	N	M	S	
138	253	90	112	71	178	7	45	14	30	16	5					