



WAT Motor
Sanayi ve Ticaret A.Ş.



Three Phase Squirrel Cage Induction Motor

Motor Type: Q3H100L2DE

Electrical Data

RATED VALUES							STARTING VALUES				BREAKDOWN	EFFICIENCY			EFFICIENCY CLASS
VOLTAGE	POWER		SPEED	CURRENT	TORQUE	Cos φ	CURRENT		TORQUE		TORQUE				IEC 60034-30-1
V	kW	Hz	rpm	A	Nm	4/4	I_A / I_N		M_A / M_N		Mk/ Mn	4/4	3/4	2/4	IE
							Y	D	Y	D	Nm				
400/690	4	50	2925	7,8/4,5	13,1	0,85		12,5		4,4	5,4	88,1	88,1	85,8	IE3
460/795	4	60	3536	6,9/4	10,8	0,85		13,89		4,89	7,14	88,5	89,3	88	IE3

Mechanical Data

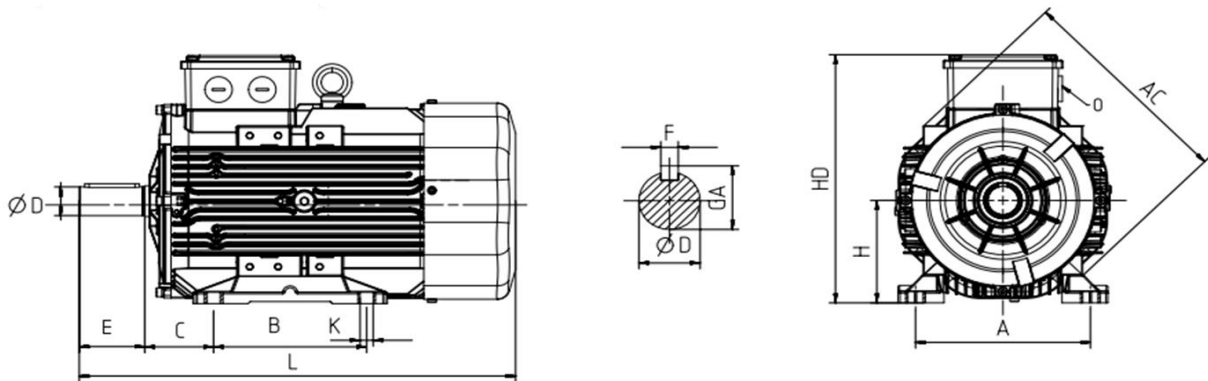
Bearing DE	6306-ZZ	Color	Optional
Bearing NDE	6205-ZZ	Motor protection	Optional
Lubricants	Shell Gadus S2 V100Q2	Method of cooling	IC 411
Condensation drain hole	No	Terminal box position	Top
External earthing terminal	Yes	Material of terminal box	Aluminium
Vibration class	A	Terminal plate thread	M5
Insulation class	F	Cable gland	1xM25
Duty type	S1	Clamping range	13-18 mm
Direction of rotation	Clockwise	Mounting type	IM 1001 (B3)
Housing material	Aluminum		
Type of balancing	Half Key		

Environmental Data

Others

Ambient temperature	-20 / + 40 °C	Type of protection	IP56
Altitude above sea level	1000 m	Sound pressure level 50/60Hz	70 dBA
		Moment of inertia (kgm ²)	0,00612
		Standard	IEC 60034-1
		Weight (kg)	28,0

Dimensions



Main Dimensions		Foot Mounted Motors						Shaft				Flange Mounted Motors			
AC	L	B	A	H	HD	K	C	D	E	GA	F	P	N	M	S
191	400	140	160	100	243	12	63	28	60	31	8				