



WAT Motor
Sanayi ve Ticaret A.Ş.



Three Phase Squirrel Cage Induction Motor

Motor Type: Q3H112M2C

Electrical Data

RATED VALUES							STARTING VALUES				BREAKDOWN	EFFICIENCY			EFFICIENCY CLASS
VOLTAGE V	POWER kW Hz		SPEED rpm	CURRENT A	TORQUE Nm	Cos φ 4/4	CURRENT I_A / I_N		TORQUE M_A / M_N		TORQUE Mk / Mn Nm	EFFICIENCY			IEC 60034-30-1 IE
	Y	D					Y	D	4/4	3/4		2/4			
400/690	4	50	2918	7,3/4,2	13,1	0,89		11,1	3,4	4,5	88,1	86,6	79,6	IE3	
460/795	4	60	3526	6,4/3,7	10,8	0,89		12,33	3,78	5,95	88,5	87	80	IE3	

Mechanical Data

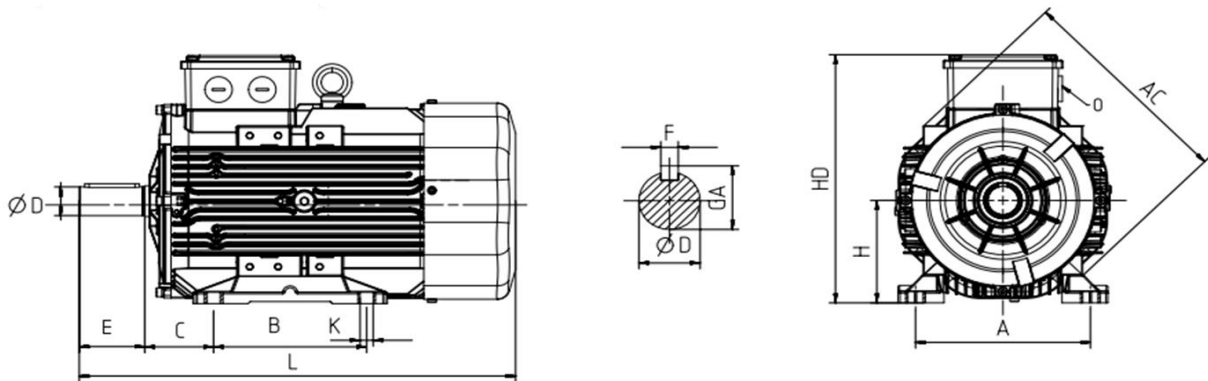
Bearing DE	6306-ZZ	Color	Optional
Bearing NDE	6205-ZZ	Motor protection	Optional
Lubricants	Shell Gadus S2 V100Q2	Method of cooling	IC 411
Condensation drain hole	No	Terminal box position	Top
External earthing terminal	Yes	Material of terminal box	Aluminium
Vibration class	A	Terminal plate thread	M5
Insulation class	F	Cable gland	1xM25
Duty type	S1	Clamping range	13-18 mm
Direction of rotation	Clockwise	Mounting type	IM 1001 (B3)
Housing material	Aluminum		
Type of balancing	Half Key		

Environmental Data

Others

Ambient temperature	-20 / + 40 °C	Type of protection	IP56
Altitude above sea level	1000 m	Sound pressure level 50/60Hz	71 dBA
		Moment of inertia (kgm ²)	0,00604
		Standard	IEC 60034-1
		Weight (kg)	32,0

Dimensions



Main Dimensions		Foot Mounted Motors						Shaft				Flange Mounted Motors			
AC	L	B	A	H	HD	K	C	D	E	GA	F	P	N	M	S
210	396	140	190	112	265	12	70	28	60	31	8				