



WAT Motor
Sanayi ve Ticaret A.Ş.



Three Phase Squirrel Cage Induction Motor

Motor Type: Q3HFA90L8C

Electrical Data

| RATED VALUES | | | | | | STARTING VALUES | | | | BREAKDOWN | EFFICIENCY | | | EFFICIENCY CLASS | |
|--------------|-------|----|-------|----------|--------|-----------------|---------------------------------|---|---------------------------------|-----------|------------|-----|------|------------------|-----|
| VOLTAGE | POWER | | SPEED | CURRENT | TORQUE | Cos φ | CURRENT | | | TORQUE | | | | IEC 60034-30-1 | |
| V | kW | Hz | rpm | A | Nm | 4/4 | I _A / I _N | | M _A / M _N | | Mk/ Mn | | | | IE |
| | | | | | | | Y | D | Y | D | Nm | 4/4 | 3/4 | 2/4 | |
| 230/400 | 0,37 | 50 | 692 | 2,3/1,31 | 5,1 | 0,61 | 2,96 | | 1,62 | | 2,05 | 68 | 67 | 61,7 | IE3 |
| 265/460 | 0,37 | 60 | 853 | 2,1/1,2 | 4,1 | 0,55 | 2,83 | | 1,80 | | 2,71 | 72 | 71,2 | 65,7 | IE3 |

Mechanical Data

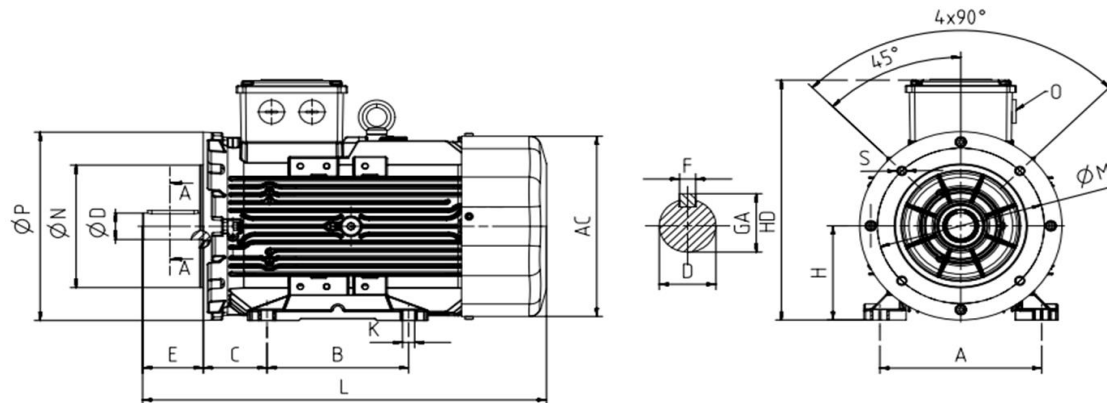
| | | | |
|----------------------------|-----------------------|--------------------------|-----------------|
| Bearing DE | 6305-ZZ | Color | Optional |
| Bearing NDE | 6205-ZZ | Motor protection | Optional |
| Lubricants | Shell Gadus S2 V100Q2 | Method of cooling | IC 411 |
| Condensation drain hole | No | Terminal box position | Top |
| External earthing terminal | Yes | Material of terminal box | Aluminium |
| Vibration class | A | Terminal plate thread | M5 |
| Insulation class | F | Cable gland | 1xM25 |
| Duty type | S1 | Clamping range | 13-18 mm |
| Direction of rotation | Clockwise | Mounting type | IM 2101 (B34-B) |
| Housing material | Aluminium | | |
| Type of balancing | Half Key | | |

Environmental Data

Others

| | | | |
|--------------------------|---------------|---------------------------------------|-------------|
| Ambient temperature | -20 / + 40 °C | Type of protection | IP56 |
| Altitude above sea level | 1000 m | Sound pressure level 50/60Hz | dBA 66 |
| | | Moment of inertia (kgm ²) | 0,00464 |
| | | Standard | IEC 60034-1 |
| | | Weight (kg) | 15,8 |

Dimensions



| Main Dimensions | | Foot Mounted Motors | | | | | | Shaft | | | | Flange Mounted Motors | | | |
|-----------------|-----|---------------------|---|---|----|---|---|-------|----|----|---|-----------------------|-----|-----|----|
| AC | L | B | A | H | HD | K | C | D | E | GA | F | P | N | M | S |
| 172 | 344 | | | | | | | 24 | 50 | 27 | 8 | 200 | 130 | 165 | 12 |

B34b