



WAT Motor
Sanayi ve Ticaret A.Ş.



Three Phase Squirrel Cage Induction Motor

Motor Type: Q3HPB132S6A

Electrical Data

RATED VALUES						STARTING VALUES				BREAKDOWN	EFFICIENCY			EFFICIENCY CLASS	
VOLTAGE	POWER		SPEED	CURRENT	TORQUE	Cos ϕ	CURRENT			TORQUE	Nm	IEC 60034-30-1			
V	kW	Hz	rpm	A	Nm	4/4	I_A / I_N	Y	D	M _A / M _N		Mk/ Mn	4/4	3/4	2/4
230/400	3	50	980	12,0/6,9	29,2	0,72	5,3			1,6	2,5	85,6	87,5	85,9	IE3
265/460	3	60	1182	10,7/6,2	24,2	0,70	5,1			1,8	3,3	89,5	88,4	87,2	IE3

Mechanical Data

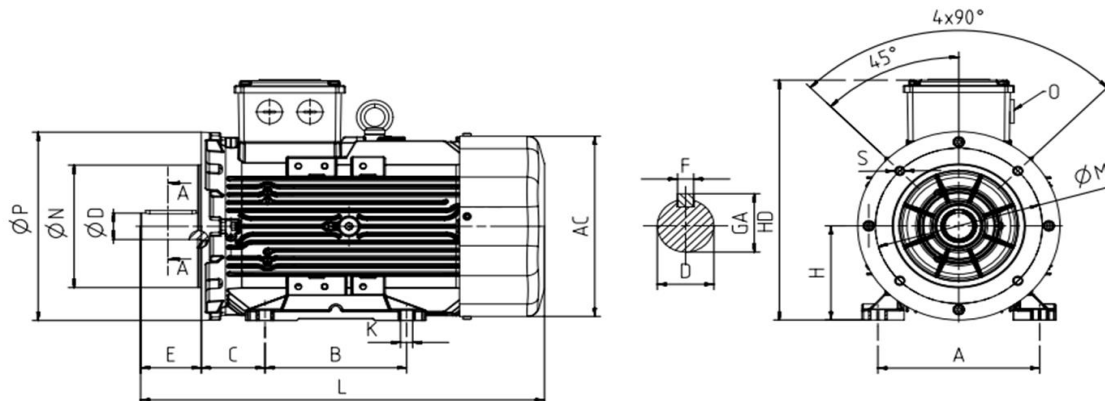
Bearing DE	6208-ZZ	Color	Optional
Bearing NDE	6208-ZZ	Motor protection	Optional
Lubricants	Shell Gadus S5 V220-2	Method of cooling	IC 411
Condensation drain hole	No	Terminal box position	Top
External earthing terminal	Yes	Material of terminal box	Aluminium
Vibration class	A	Terminal plate thread	M6
Insulation class	F	Cable gland	1xM32
Duty type	S1	Clamping range	18-25 mm
Direction of rotation	Clockwise	Mounting type	IM 2101 (B34-B)
Housing material	Aluminium		
Type of balancing	Half Key		

Environmental Data

Others

Ambient temperature	-20 / + 40 °C	Type of protection	IP56
Altitude above sea level	1000 m	Sound pressure level 50/60Hz	dBA
		Moment of inertia (kqm ²)	0,03560
		Standard	IEC 60034-1
		Weight (kg)	52,8

Dimensions



Main Dimensions		Foot Mounted Motors						Shaft				Flange Mounted Motors			
AC	L	B	A	H	HD	K	C	D	E	GA	F	P	N	M	S
260	481	140-178	216	132	328	12	89	38	80	41	10	250	180	215	M12

B34b