



WAT Motor
Sanayi ve Ticaret A.Ş.



Three Phase Squirrel Cage Induction Motor

Motor Type: Q3NR80S4D40

Electrical Data

RATED VALUES							STARTING VALUES				BREAKDOWN	EFFICIENCY			EFFICIENCY CLASS		
VOLTAGE	POWER		SPEED	CURRENT	TORQUE	cos φ	CURRENT		TORQUE		TORQUE				IEC 60034-30-1		
V	kW	Hz	rpm	A	Nm	4/4	I _A / I _N	Y	D	M _A / M _N	Y	D	Mk / Mn	4/4	3/4	2/4	IE
230/400	0,75	50	1418	3,1/1,8	5,1	0,75	6,2			3,1			3,3	82,5	81,9	80,2	IE3
265/460	0,75	60	1735	2,8/1,6	4,1	0,75	5,9			3,4			4,4	83,5	81,9	80,2	IE3

Mechanical Data

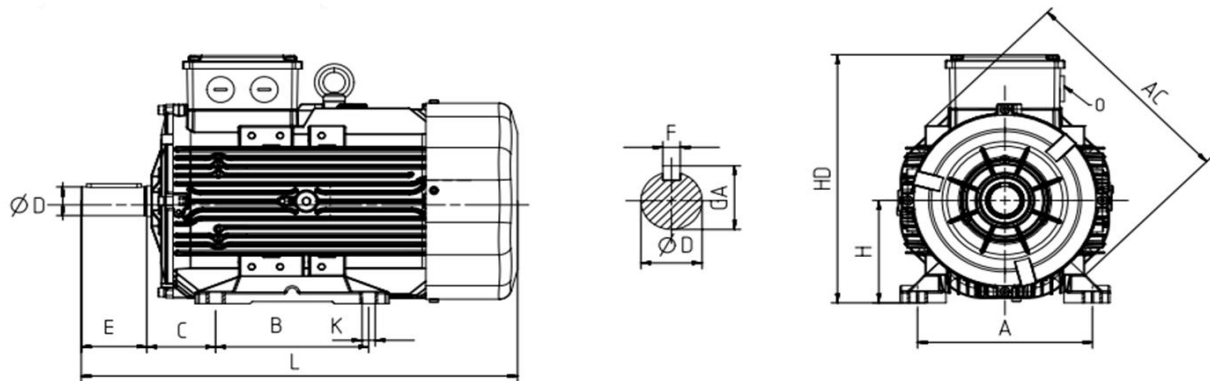
Bearing DE	6204-ZZ	Color	Optional
Bearing NDE	6204-ZZ	Motor protection	Optional
Lubricants	Shell Gadus S2 V100Q2	Method of cooling	IC 411
Condensation drain hole	No	Terminal box position	Top
External earthing terminal	Yes	Material of terminal box	Aluminium
Vibration class	A	Terminal plate thread	M4
Insulation class	F	Cable gland	1xM20
Duty type	S1	Clamping range	10-14 mm
Direction of rotation	Clockwise	Mounting type	IM 1001 (B3)
Housing material	Aluminum		
Type of balancing	Half Key		

Environmental Data

Others

Ambient temperature	-20 / + 40 °C	Type of protection	IP55
Altitude above sea level	1000 m	Sound pressure level 50/60Hz	53 dBA
		Moment of inertia (kgm ²)	0,00256
		Standard	IEC 60034-1
		Weight (kg)	9,8

Dimensions



Main Dimensions		Foot Mounted Motors						Shaft					Flange Mounted Motors			
AC	L	B	A	H	HD	K	C	D	E	GA	F	P	N	M	S	
156	256	100	125	80	216	10	50	19	40	21,5	6					