



WAT Motor
Sanayi ve Ticaret A.Ş.



Three Phase Squirrel Cage Induction Motor

Motor Type: Q4H132M4DE

Electrical Data

RATED VALUES							STARTING VALUES				BREAKDOWN	EFFICIENCY			EFFICIENCY CLASS
VOLTAGE	POWER		SPEED	CURRENT	TORQUE	cos φ	CURRENT		TORQUE		TORQUE				IEC 60034-30-1
V	kW	Hz	rpm	A	Nm	4/4	I _A / I _N		M _A / M _N		Mk / Mn	4/4	3/4	2/4	IE
							Y	D	Y	D	Nm				
400/690	7,5	50	1473	14,6/8,5	48,6	0,81		10,1		2,0	4,5	92,6	92	91,1	IE4
460/795	7,5	60	1777	12,9/7,5	40,3	0,79		7,8		2,9	5,2	92,4	91,8	90,9	IE4

Mechanical Data

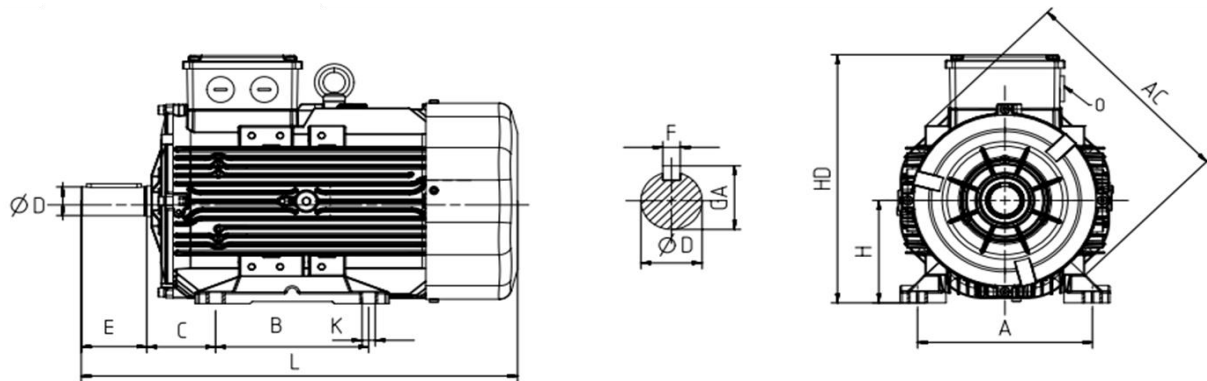
Bearing DE	6208-ZZ	Color	Optional
Bearing NDE	6208-ZZ	Motor protection	Optional
Lubricants	Shell Gadus S5 V220-2	Method of cooling	IC 411
Condensation drain hole	No	Terminal box position	Top
External earthing terminal	Yes	Material of terminal box	Aluminium
Vibration class	A	Terminal plate thread	M6
Insulation class	F	Cable gland	1xM32
Duty type	S1	Clamping range	18-25 mm
Direction of rotation	Clockwise	Mounting type	IM 1001 (B3)
Housing material	Aluminum		
Type of balancing	Half Key		

Environmental Data

Others

Ambient temperature	-20 / + 40 °C	Type of protection	IP56
Altitude above sea level	1000 m	Sound pressure level 50/60Hz	61 dBA
		Moment of inertia (kgm ²)	0,05441
		Standard	IEC 60034-1
		Weight (kg)	78,0

Dimensions



Main Dimensions		Foot Mounted Motors						Shaft					Flange Mounted Motors			
AC	L	B	A	H	HD	K	C	D	E	GA	F	P	N	M	S	
260	539	140-178	216	132	328	12	89	38	80	41	10					