



WAT Motor
Sanayi ve Ticaret A.Ş.



Three Phase Squirrel Cage Induction Motor

Motor Type: Q4H132S4C

Electrical Data

RATED VALUES							STARTING VALUES				BREAKDOWN	EFFICIENCY			EFFICIENCY CLASS
VOLTAGE	POWER		SPEED	CURRENT	TORQUE	Cos φ	CURRENT		TORQUE		TORQUE				IEC 60034-30-1
V	kW	Hz	rpm	A	Nm	4/4	I _A / I _N		M _A / M _N		Mk / Mn	4/4	3/4	2/4	IE
							Y	D	Y	D	Nm				
400/690	5,5	50	1478	12,0/7,0	35,5	0,73		10,1		3,5	5,1	91,9	91,2	89,9	IE4
460/795	5,5	60	1778	11,6/6,7	29,5	0,75		8,7		2,4	4,0	92,4	91,5	90,1	IE4

Mechanical Data

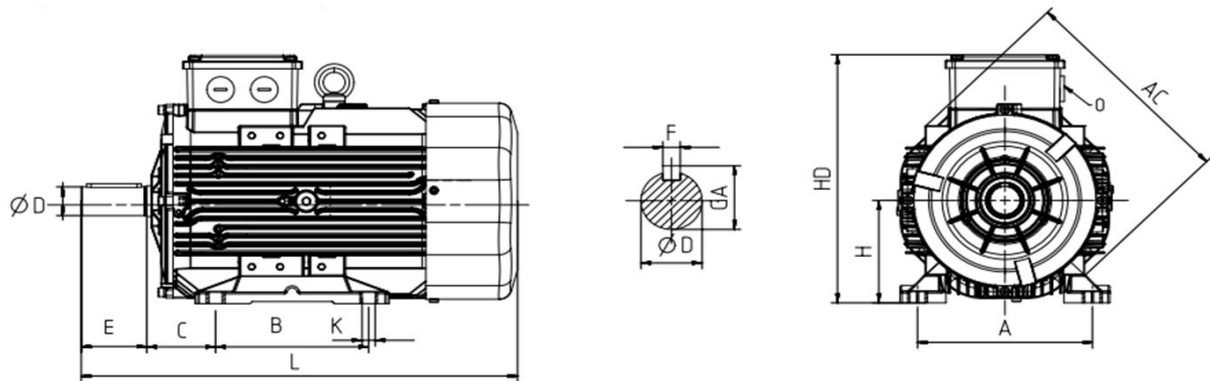
Bearing DE	6208-ZZ	Color	Optional
Bearing NDE	6208-ZZ	Motor protection	Optional
Lubricants	Shell Gadus S5 V220-2	Method of cooling	IC 411
Condensation drain hole	No	Terminal box position	Top
External earthing terminal	Yes	Material of terminal box	Aluminium
Vibration class	A	Terminal plate thread	M6
Insulation class	F	Cable gland	1xM32
Duty type	S1	Clamping range	18-25 mm
Direction of rotation	Clockwise	Mounting type	IM 1001 (B3)
Housing material	Aluminum		
Type of balancing	Half Key		

Environmental Data

Others

Ambient temperature	-20 / + 40 °C	Type of protection	IP56
Altitude above sea level	1000 m	Sound pressure level 50/60Hz	60 dBA
		Moment of inertia (kgm ²)	0,03847
		Standard	IEC 60034-1
		Weight (kg)	57,5

Dimensions



Main Dimensions		Foot Mounted Motors						Shaft				Flange Mounted Motors			
AC	L	B	A	H	HD	K	C	D	E	GA	F	P	N	M	S
260	481	140-178	216	132	328	12	89	38	80	41	10				