



WAT Motor  
Sanayi ve Ticaret A.Ş.



## Smoke Extraction Motor F300 2 Hour EN 12101-3

Motor Type: S2EP280M2-4B40-KG

### Electrical Data

| RATED VALUES |       |    |       |         |        |            | STARTING VALUES |      |        | BREAKDOWN   | EFFICIENCY   |      |     | EFFICIENCY CLASS |                |
|--------------|-------|----|-------|---------|--------|------------|-----------------|------|--------|-------------|--------------|------|-----|------------------|----------------|
| VOLTAGE      | POWER |    | SPEED | CURRENT | TORQUE | Cos $\phi$ | CURRENT         |      | TORQUE |             | TORQUE       |      |     |                  | IEC 60034-30-1 |
| V            | kW    | Hz | rpm   | A       | Nm     | 4/4        | $I_A / I_N$     | YY   | Y      | $M_A / M_N$ | Mk/ Mn<br>Nm | 4/4  | 3/4 | 2/4              | IE             |
| 400          | 75    | 50 | 2983  | 139,8   | 240,1  | 0,89       | 7,90            |      |        | 2,40        | 3,30         | 93,8 |     |                  |                |
| 400          | 20    | 50 | 1492  | 39,1    | 128,0  | 0,87       |                 | 6,90 |        | 2,00        | 2,30         | 90,9 |     |                  |                |
|              |       |    |       |         |        |            |                 |      |        |             |              |      |     |                  |                |

### Mechanical Data

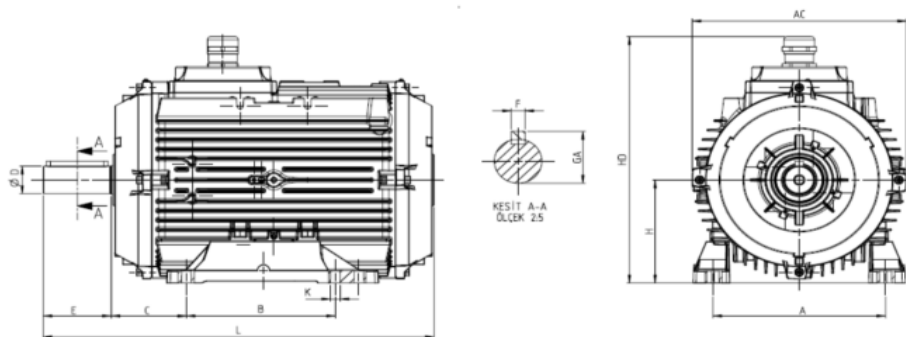
|                            |                                |                          |              |
|----------------------------|--------------------------------|--------------------------|--------------|
| Bearing DE                 | 6316 ACIK C4 YOK ORS           | Color                    | Optional     |
| Bearing NDE                | 6316 ACIK C4 YOK ORS           | Motor protection         | Optional     |
| Lubricants                 | Dupont GPL 226 Krytox (260 C°) | Method of cooling        | IC 418       |
| Condensation drain hole    | No                             | Terminal box position    | Top          |
| External earthing terminal | Yes                            | Material of terminal box | Cast Iron    |
| Vibration class            | A                              | Cable gland              | M50x1.5      |
| Insulation class           | H                              | Clamping range           | 34-44        |
| Duty type                  | S1                             | Mounting type            | IM 1001 (B3) |
| Direction of rotation      | Clockwise                      |                          |              |
| Housing material           | Cast Iron                      |                          |              |
| Type of balancing          | Half Key                       |                          |              |

### Environmental Data

### Others

|                          |               |                                       |                               |
|--------------------------|---------------|---------------------------------------|-------------------------------|
| Ambient temperature      | -20 / + 40 °C | Type of protection                    | IP56                          |
| Altitude above sea level | 1000 m        | Sound pressure level 50/60Hz          | dBA 76/68                     |
|                          |               | Moment of inertia (kgm <sup>2</sup> ) | 1,14800                       |
|                          |               | Standard                              | IEC 60034-1                   |
|                          |               | Weight (kg)                           | 609,0                         |
|                          |               | Resistance to fire                    | 300 C° 2 Hour F300 EN 12101-3 |

### Dimensions



| Main Dimensions |     | Foot Mounted Motors |     |     |     |    |     | Shaft |     |      |    | Flange Mounted Motors |   |   |   |
|-----------------|-----|---------------------|-----|-----|-----|----|-----|-------|-----|------|----|-----------------------|---|---|---|
| AC              | L   | B                   | A   | H   | HD  | K  | C   | D     | E   | GA   | F  | P                     | N | M | S |
| 550             | 930 | 368                 | 457 | 280 | 612 | 24 | 190 | 75    | 140 | 79,5 | 20 |                       |   |   |   |