



WAT Motor
Sanayi ve Ticaret A.Ş.



Smoke Extraction Motor F400 2 Hour EN 12101-3

Motor Type: S3HG160L2C40-KG

Electrical Data

RATED VALUES						STARTING VALUES				BREAKDOWN	EFFICIENCY			EFFICIENCY CLASS	
VOLTAGE V	POWER kW Hz		SPEED rpm	CURRENT A	TORQUE Nm	cos φ	CURRENT I _A / I _N Y D		TORQUE M _A / M _N Y D		TORQUE Mk/ Mn Nm				IEC 60034-30-1
	4/4	3/4	2/4								4/4	3/4	2/4	IE	
400/690	18,5	50	2971	32,9/19,0	59,5	0,84		11,50	3,80	5,50	IE3-92,4	90,7	88	IE3	
460/795	18,5	60	3572	30,7/17,7	49,5	0,84		10,93	4,20	7,20	IE3-91,7	91,5	89,5	IE3	

Mechanical Data

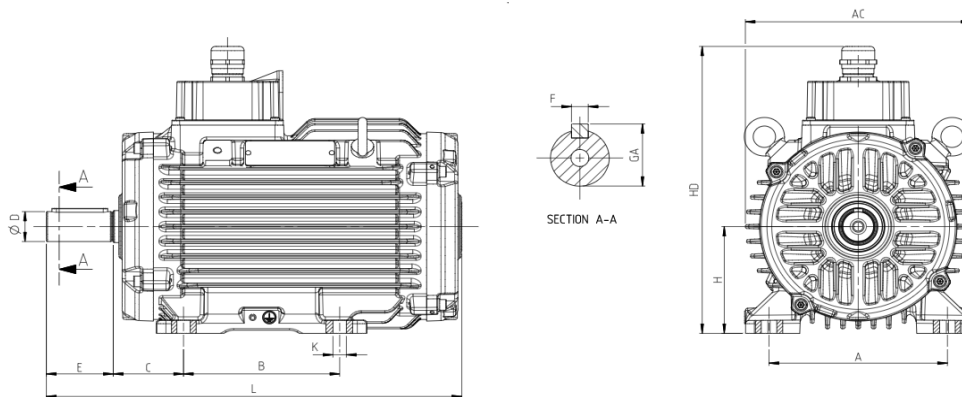
Bearing DE	6309 ZZ C4 DUPONT260C ORS	Color	Optional
Bearing NDE	6309 ZZ C4 DUPONT260C ORS	Motor protection	Optional
Lubricants	Dupont GPL 226 Krytox (260 C°)	Method of cooling	IC 418
Condensation drain hole	No	Terminal box position	Top
External earthing terminal	Yes	Material of terminal box	Cast Iron
Vibration class	A	Cable gland	M32x1.5
Insulation class	H	Clamping range	18-25
Duty type	S1	Mounting type	IM 1001 (B3)
Direction of rotation	Clockwise		
Housing material	Cast Iron		
Type of balancing	Half Key		

Environmental Data

Others

Ambient temperature	-20 / + 40 °C	Type of protection	IP56
Altitude above sea level	1000 m	Sound pressure level 50/60Hz	dBA 70
		Moment of inertia (kgm ²)	0,04809
		Standard	IEC 60034-1
		Weight (kg)	132,2
		Resistance to fire	400 C° 2 Hour F400 EN 12101-3

Dimensions



Main Dimensions		Foot Mounted Motors						Shaft				Flange Mounted Motors			
AC	L	B	A	H	HD	K	C	D	E	GA	F	P	N	M	S
327	543	210	254	160	404	14,5	108	42	110	45	12				