



WAT Motor
Sanayi ve Ticaret A.Ş.



Smoke Extraction Motor F400 2 Hour EN 12101-3

Motor Type: S3HG180M4B40-KG

Electrical Data

RATED VALUES						STARTING VALUES				BREAKDOWN	EFFICIENCY			EFFICIENCY CLASS	
VOLTAGE V	POWER kW Hz		SPEED rpm	CURRENT A	TORQUE Nm	Cos φ	CURRENT I_A / I_N Y D		TORQUE M_A / M_N Y D		TORQUE Mk/ Mn Nm				IEC 60034-30-1
	4/4	3/4	2/4								4/4	3/4	2/4	IE	
400/690	18,5	50	1485	36,0/20,8	119,0	0,82		8,50		2,80	3,70	IE3-92,6	91,8	90,3	IE3
460/795	18,5	60	1787	31,4/18,1	98,9	0,83		8,10		3,10	4,90	IE3-93,6	92,1	90,5	IE3

Mechanical Data

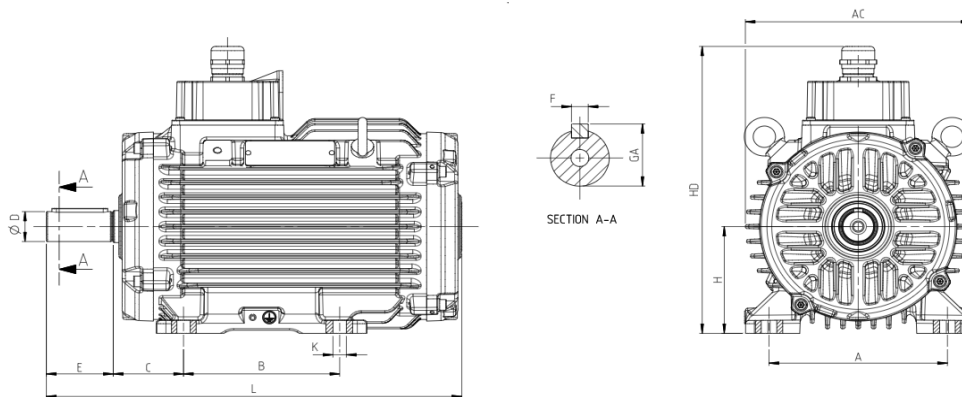
Bearing DE	6310 ZZ C4 DUPONT260C ORS	Color	Optional
Bearing NDE	6310 ZZ C4 DUPONT260C ORS	Motor protection	Optional
Lubricants	Dupont GPL 226 Krytox (260 C°)	Method of cooling	IC 418
Condensation drain hole	No	Terminal box position	Top
External earthing terminal	Yes	Material of terminal box	Cast Iron
Vibration class	A	Cable gland	M40x1.5
Insulation class	H	Clamping range	22-32
Duty type	S1	Mounting type	IM 1001 (B3)
Direction of rotation	Clockwise		
Housing material	Cast Iron		
Type of balancing	Half Key		

Environmental Data

Others

Ambient temperature	-20 / + 40 °C	Type of protection	IP56
Altitude above sea level	1000 m	Sound pressure level 50/60Hz	dBA 67
		Moment of inertia (kgm ²)	0,18660
		Standard	IEC 60034-1
		Weight (kg)	191
		Resistance to fire	400 C° 2 Hour F400 EN 12101-3

Dimensions



Main Dimensions		Foot Mounted Motors						Shaft				Flange Mounted Motors			
AC	L	B	A	H	HD	K	C	D	E	GA	F	P	N	M	S
355	618	241	279	180	467	14,5	121	48	110	51,5	14				