



WAT Motor  
Sanayi ve Ticaret A.Ş.



## Smoke Extraction Motor F400 2 Hour EN 12101-3

Motor Type: S3HG200L4D40-KG

### Electrical Data

RATED VALUES							STARTING VALUES				BREAKDOWN			EFFICIENCY			EFFICIENCY CLASS
VOLTAGE V	POWER kW Hz		SPEED rpm	CURRENT A	TORQUE Nm	Cos φ 4/4	CURRENT $I_A / I_N$		TORQUE $M_A / M_N$		TORQUE Mk/ Mn Nm	EFFICIENCY			IEC 60034-30-1 IE		
	Y	D					Y	D	4/4	3/4		2/4					
400/690	30	50	1484	60,6/35,0	193,0	0,78		7,80		2,60	3,60	IE3-93,6	93,8	93,6	IE3		
460/795	30	60	1785	52,8/30,5	160,5	0,78		7,41		2,47	3,42	IE3-94,1	93,5	92,6	IE3		

### Mechanical Data

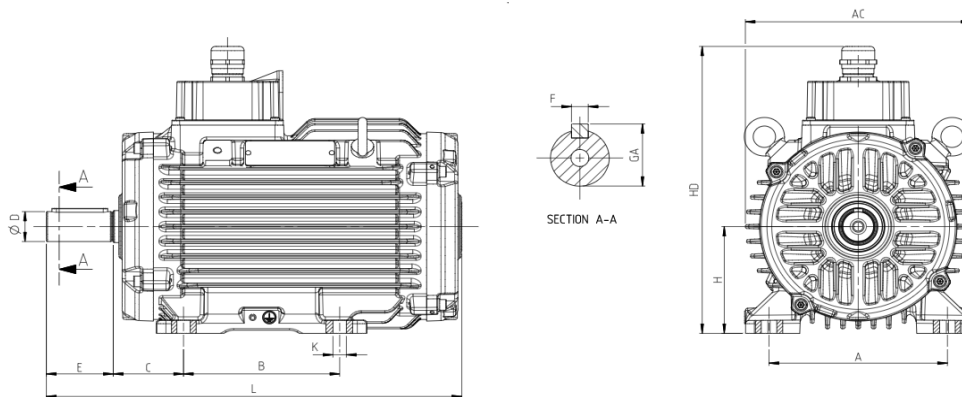
Bearing DE	6312 ZZ C4 DUPONT260C ORS	Color	Optional
Bearing NDE	6310 ZZ C4 DUPONT260C ORS	Motor protection	Optional
Lubricants	Dupont GPL 226 Krytox (260 C°)	Method of cooling	IC 418
Condensation drain hole	No	Terminal box position	Top
External earthing terminal	Yes	Material of terminal box	Cast Iron
Vibration class	A	Cable gland	M40x1.5
Insulation class	H	Clamping range	22-32
Duty type	S1	Mounting type	IM 1001 (B3)
Direction of rotation	Clockwise		
Housing material	Cast Iron		
Type of balancing	Half Key		

### Environmental Data

### Others

Ambient temperature	-20 / + 40 °C	Type of protection	IP56
Altitude above sea level	1000 m	Sound pressure level 50/60Hz	dBA 68
		Moment of inertia (kgm <sup>2</sup> )	0,22166
		Standard	IEC 60034-1
		Weight (kg)	263,0
		Resistance to fire	400 C° 2 Hour F400 EN 12101-3

### Dimensions



Main Dimensions		Foot Mounted Motors						Shaft				Flange Mounted Motors			
AC	L	B	A	H	HD	K	C	D	E	GA	F	P	N	M	S
355	680	305	318	200	484	18,5	135	55	110	59	16				